



CAP COOLER

The "Cap Cooler" machine is a unit especially designed for cooling the caps before they are discharged into the collecting box.

The extremely effective cooling action grants the caps a temperature only 3°C higher than the ambient temperature.

Cap Cooler produces a uniform cooling of the complete cap, thus granting regular shrinkage and constant quality of the products.

Ovalisation and deformation are therefore really reduced to minimum.

2 models are available: HF model is suitable for capacity higher than 65000 ÷ 70000 caps/hour.



Main features:

- All parts in contact with the caps in stainless steel
- Version with adjustable legs and/or wheels
- Version with H13 absolute filters
- Supporting structure with wheels in aluminium profiles, cover panels in galvanized steel sheet with polyester powder baked enamel
- Special version for extremely critical ambient conditions: temperature higher than 38°C

Advantages:

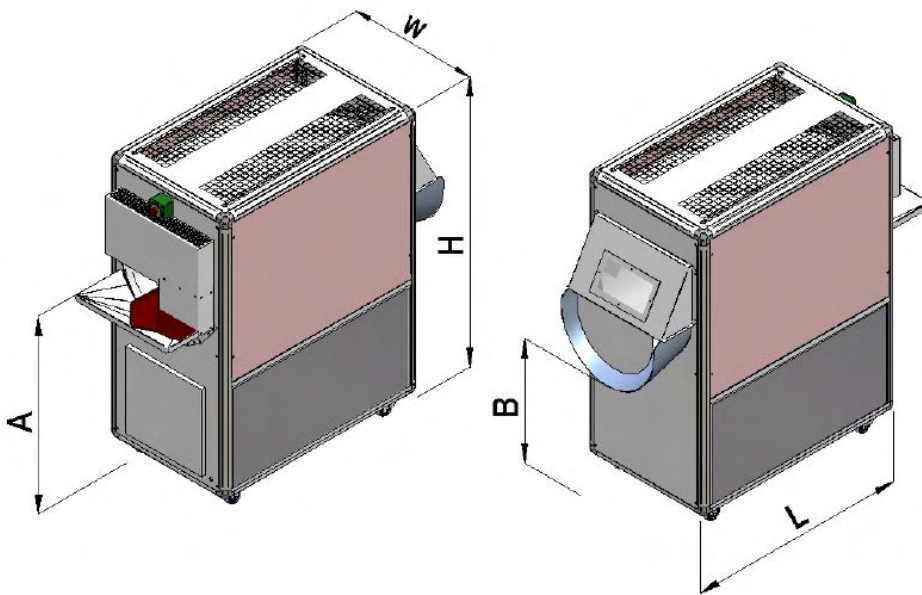
- Easy to install
- Low energy consumption
- Suitable for different cap sizes
- Easy to adjust to different outputs

CAP COOLER

Technical Specifications:

Model		Cap Cooler CAP/SF	Cap Cooler CAP/HF
Fan Power	kW	3	4
Gearmotor Power	kW	0,13	0,25
Noise Level (*)	dB (A)	< 80	< 80
Colour		White RAL 9010	White RAL 9010
Weight	Kg	262	370
Dimensions (L-W-H)	mm	1257-757-1709	2000-757-1722
Dimensions (A-B)	mm	1091-797	1104-810
Dimensions (L1)	mm	~1083	~2550

Available Power Supply: 400V/50Hz 380V/60Hz 460V/60Hz



Options:

- Adjustable legs
- Cooling battery (right or left position. W= + 980mm)
- Electrical box cooler
- Absolute filters
- Absolute filters HF version

