

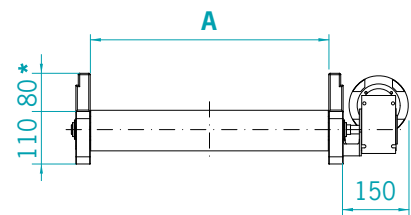
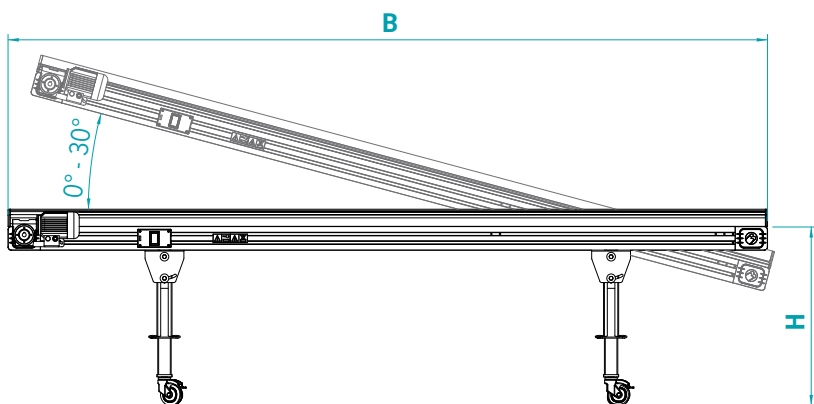


## PA - Standard Flat Conveyor



- Sturdy frame made of primary extrusion aluminium section, Alloy 6060, protected by anodisation average thickness 15 micron.
- Standard cut-proof, oil-proof belt, with smooth green Polyurethane covering (ref. Pantone 320); vulcanised belt joint.
- Minimum and maximum temperature resistance of belt: -10°C to +90°C.
- Standard transmission group consisting of 0.12 kW, three-phase, asynchronous motor coupled with worm reduction unit with permanent lubrication.
- Fixed standard conveyor speed 3 m/min.
- Conveyor complete with Siemens Start and Stop switch/motor cut-out, with 5 m cable and 4P CE plug (3 phases+ground).
- Standard motor supply voltage 400 Volts/50 Hz.

### STANDARD DIMENSIONAL FEATURES



\* Standard removable side panels 80 mm h

A	B	H
min 100 mm	min 600 mm	min 200 mm
max 2000 mm	max 60 mt	max 2000 mm

