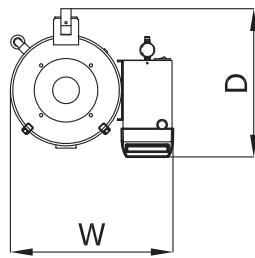
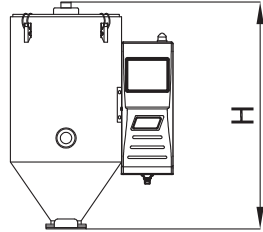
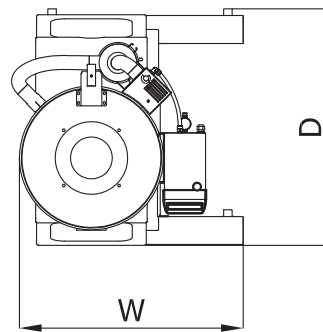
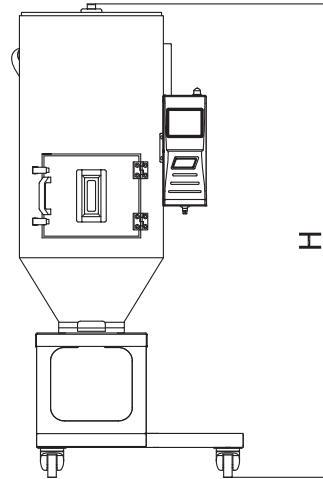


Compressed Air Dryers

Dryers



SDAC2-50



STURBO DAC75-100

Technical Data	SDAC2 LV	SDAC6	SDAC15	SDAC30	SDAC50	STurbo DAC75	STurbo DAC100
Hopper capacity (dm ³)	1 - 2	6	15	30	50	75	100
Air flow (Nm ³ /h)	1 - 3	2 - 6	5 - 15	7 - 20	7 - 20	15 - 40	15 - 40
Dew point (°C)	-50	-50	-50	-50	-50	-30	-30
Process temperature (°C)	50 - 150	50 - 150	50 - 150	50 - 150	50 - 150	60 - 150	60 - 150
Heating power (kW)	0.65	0.65	0.65	0.95	0.95	1	1
Noise level (dB(A))	<80	<80	<80	<80	<80	<80	<80
Total power (kW)	0.7	0.7	0.7	1	1	1.1	1.1
Compressed air pressure (bar)	6 - 8	6 - 8	6 - 8	6 - 8	6 - 8	6 - 8	6 - 8
Voltage / frequency (V/Hz)	230/50 - 60	230/50 - 60	230/50 - 60	230/50 - 60	230/50 - 60	230/50 - 60	230/50 - 60
Dimension WxDxH (mm)	291x290x493	374x313x454	436x360x605	483x416x678	513x457x908	667x675x969	667x675x1179
Weight (kg)	8	10	16	20	23	58	62