

# XR Series 30



Your recycling needs. Our grinding solutions.

The new TRIA granulator of the XR series is able to satisfy the most particular needs. Its independent dancing arms and the internal rollers that adapt to the thickness of the trims, allow to better manage every type of material.

The small size and the protected mechanical parts allow a safety use.



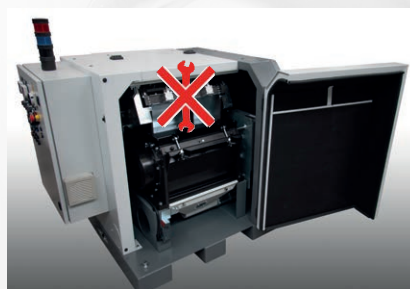
Independent pneumatic dancing arms for each roller.



Control panel for pneumatic opening / closing of the rollers.



Control panel and security system integrated in the electrical panel. Operating mode AUTO / MAN with the possibility of managing the extrusion line speed signal.



Access without tools to the parts subject to ordinary maintenance.



Small footprint and protection for mechanical parts in motion.

# XR Series 30

## FEATURES XR 3530

Single infeed rollers (mm): **320 x 20**  
 Nr. rotating / fixed knives: **3 / 2**  
 Rotor speed (RPM): **340**  
 Rotor diameter (mm): **260**  
 Average rollers diameter (mm): **96**  
 Maximum rollers opening\* (mm): **9**  
 Rollers width\* (mm): **326**  
 Motor (kW): **7,5**  
 Weight (kg): **830**  
 Standard screen (mm): **7 - 9**  
 Indicative throughput (kg/hr): **150 ÷ 180**  
 Funnel capacity (l): **12**

\* Standard: Striped intermeshing rollers

## FEATURES XR 5030

Single infeed rollers (mm): **470 x 20**  
 Double infeed rollers (mm): **190 x 20**  
 Nr. rotating / fixed knives: **3 / 2**  
 Rotor speed (RPM): **340**  
 Rotor diameter (mm): **260**  
 Average rollers diameter\* (mm): **96**  
 Maximum rollers opening (mm): **9**  
 Rollers width [double]\* (mm): **476 [200 each]**  
 Motor (kW): **7,5**  
 Weight (kg): **960**  
 Standard screen (mm): **7 - 9**  
 Indicative throughput (kg/hr): **200 ÷ 250**  
 Funnel capacity (l): **20**

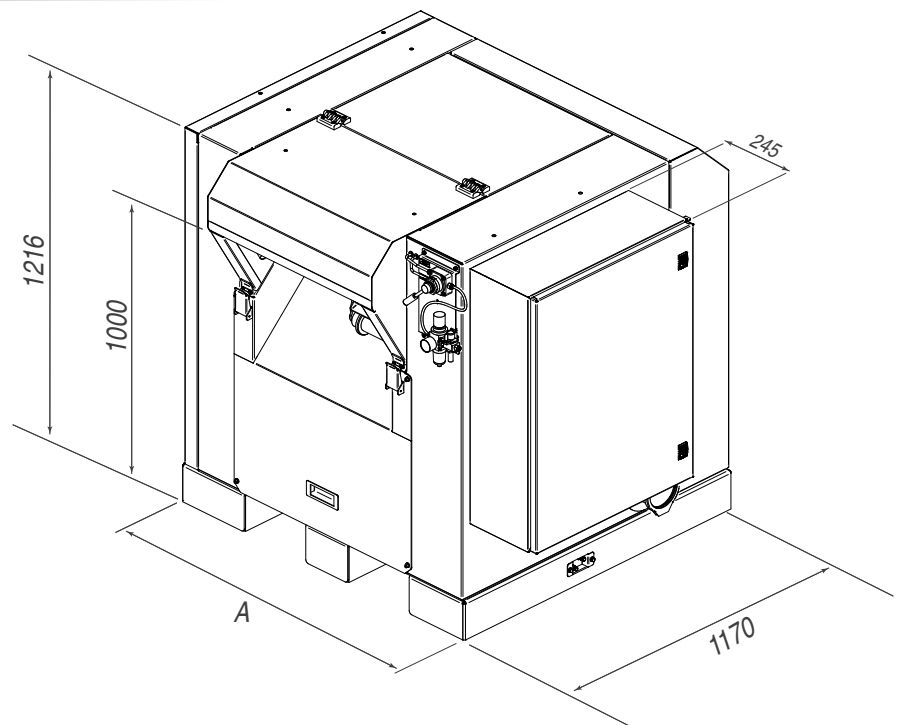
\* Standard: Striped intermeshing rollers

## OPTIONAL

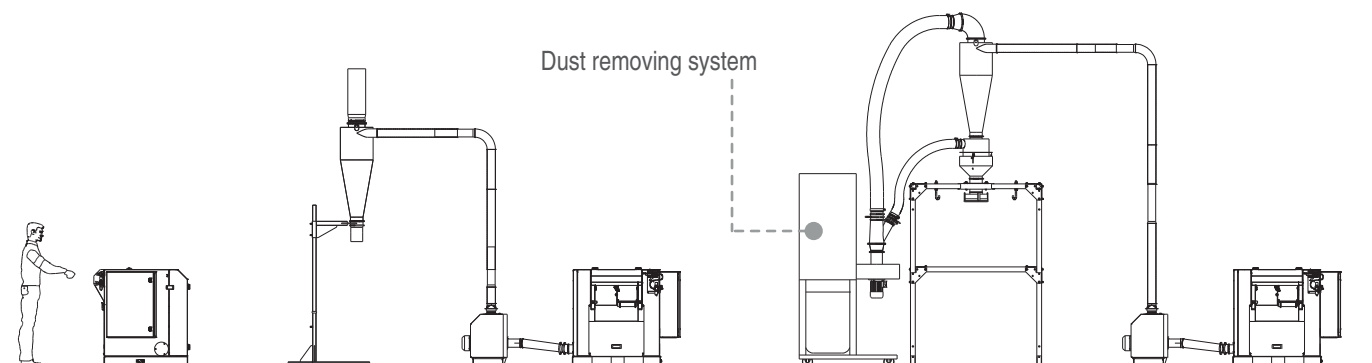
- A) Dancing arms with potentiometers
- B) Smooth roller surface (thk<1,5mm)
- C) Knurled roller surface (thk>1,5mm)
- D) Level control
- E) Knives in antiwear execution
- F) Screen in antiwear execution

## DIMENSIONS

MODEL	A
XR 3530	930
XR 5030	1080



## ACCESSORIES



Your recycling needs. Our grinding solutions.

TRIA Italy  
[www.trioplastics.com](http://www.trioplastics.com)

TRIA America  
 TRIA Brazil

TRIA China  
 TRIA Germany